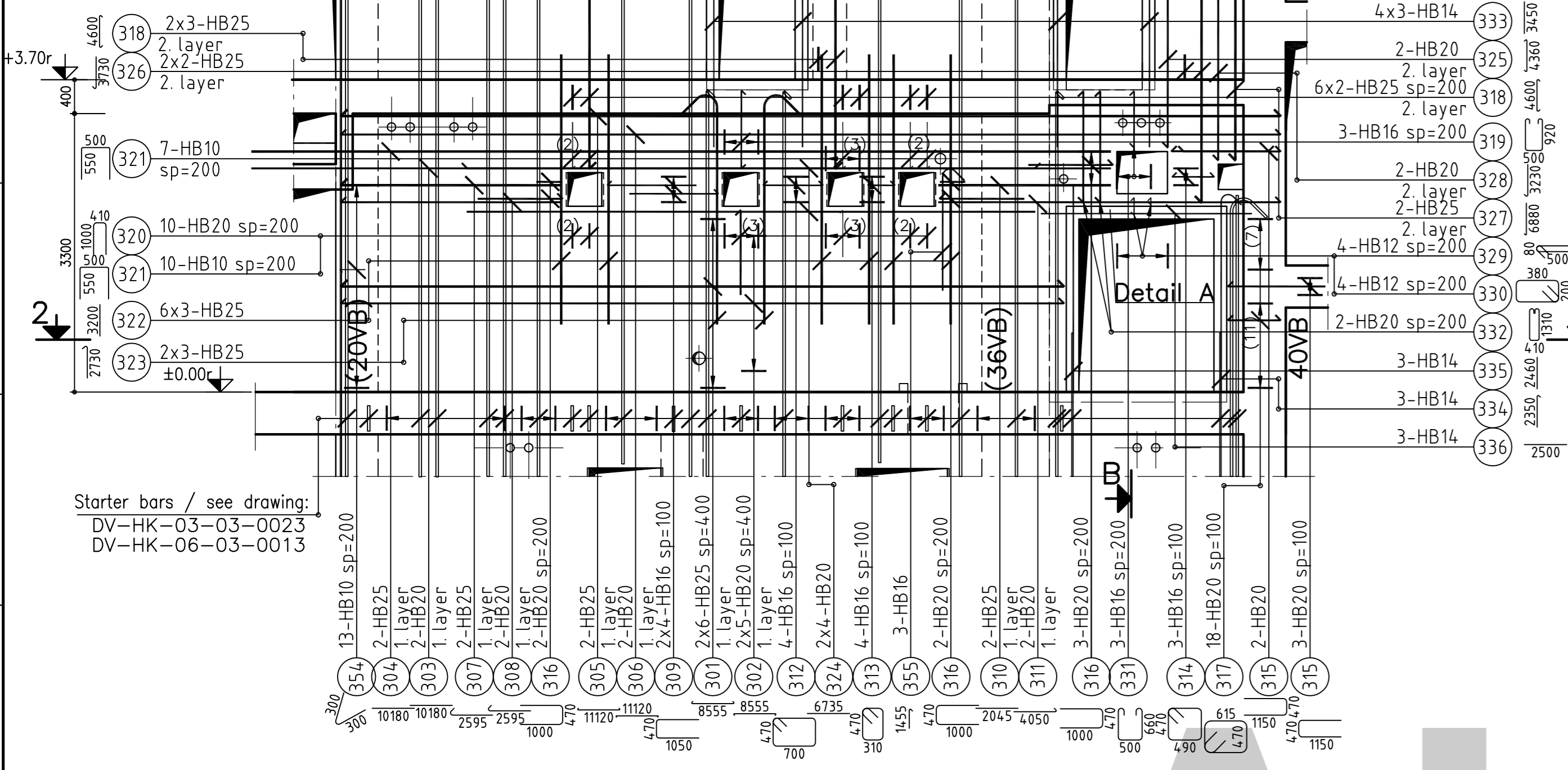
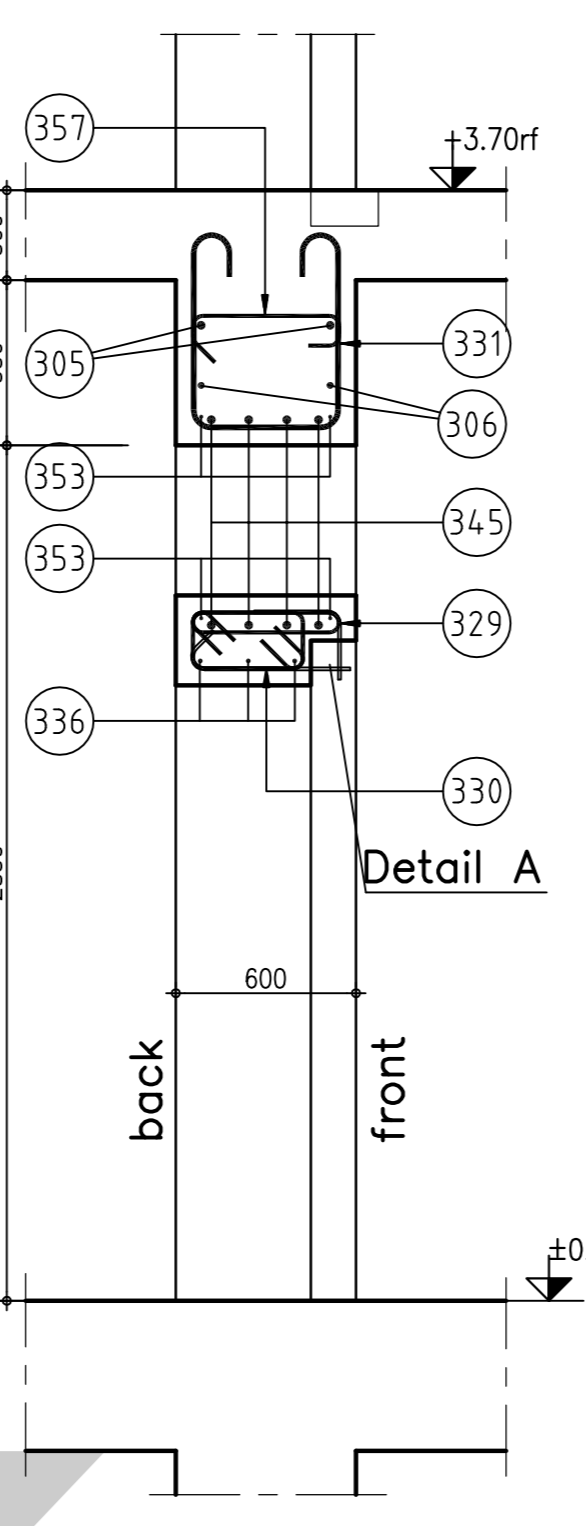


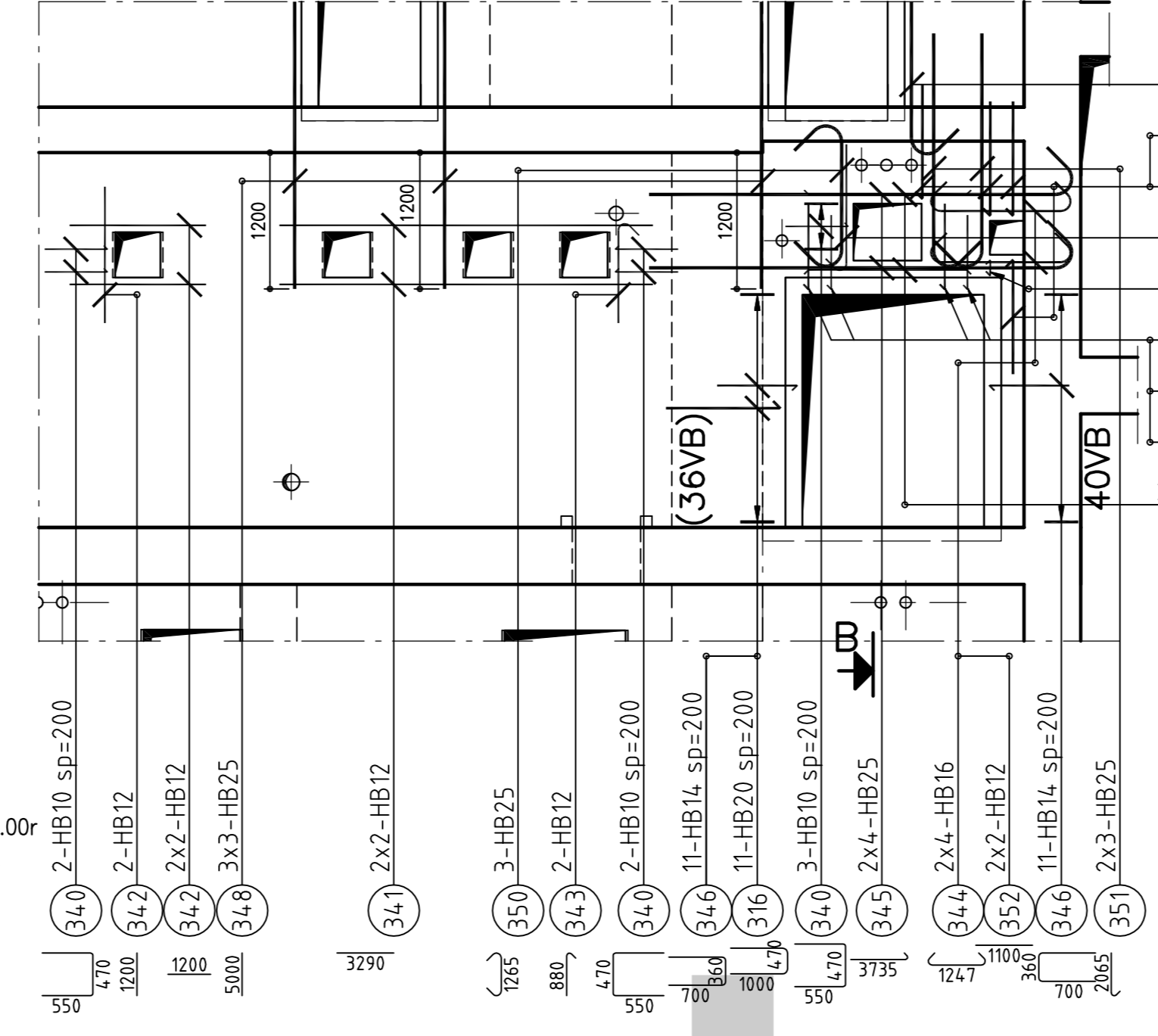
ELEVATION 63VB
Front & back rebars
Thk=600
 Scale: 1/50



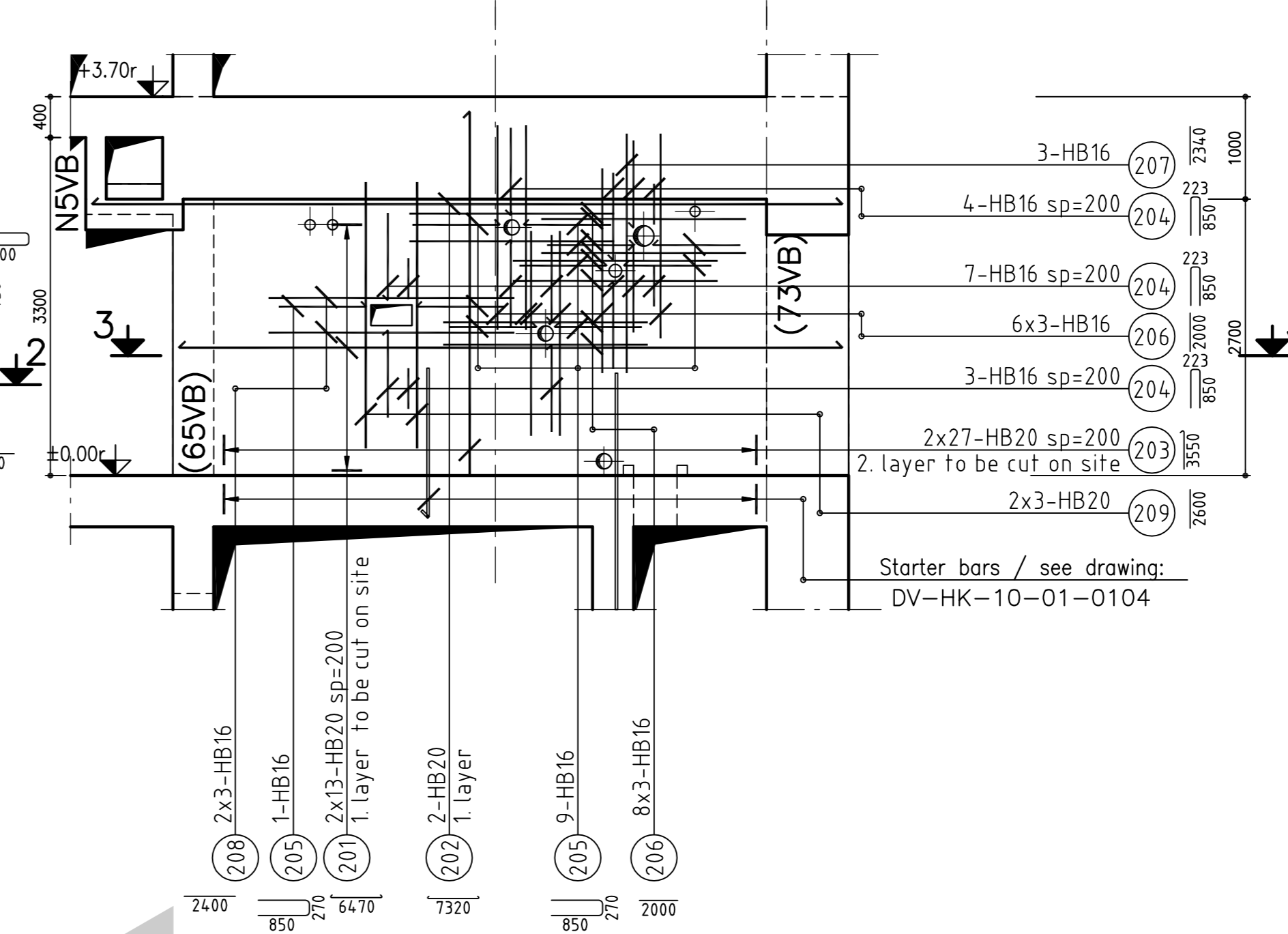
SECTION B-B
 Scale: 1/25



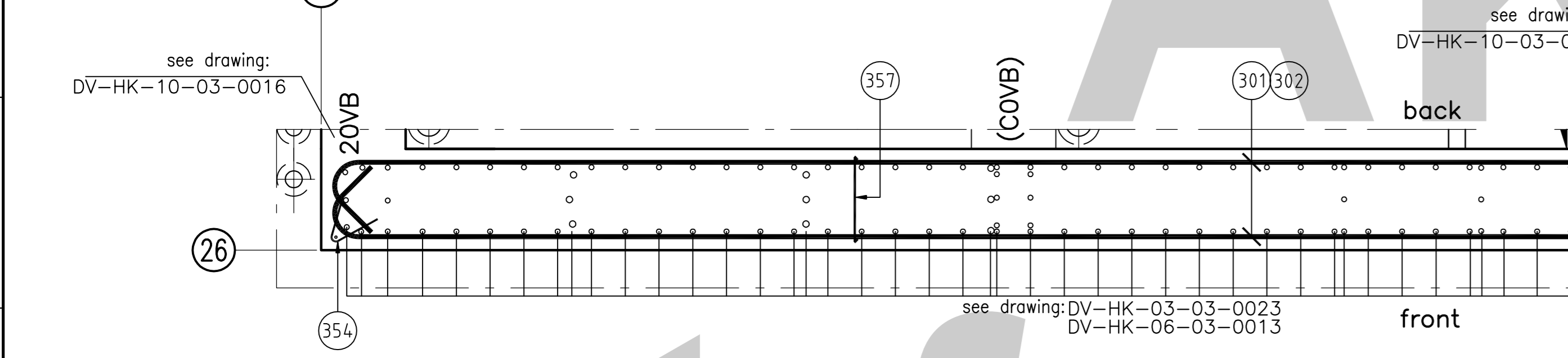
ELEVATION 63VB
Additional rebars
Thk=600
 Scale: 1/50



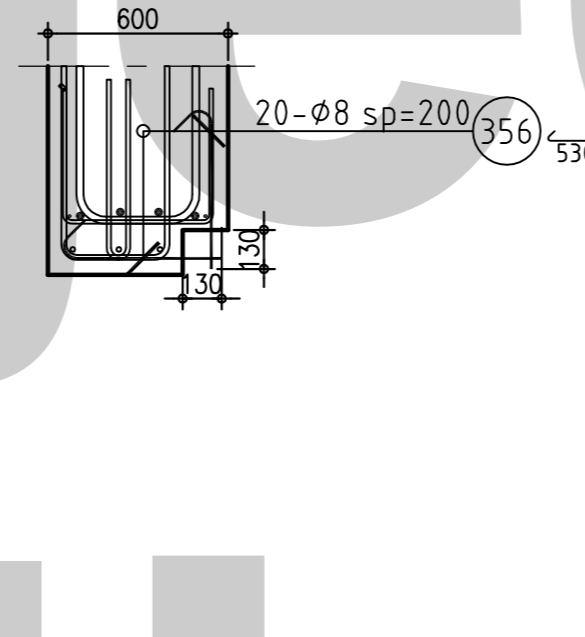
ELEVATION DOVB
Front & back rebars
Thk=400 (27)
 Scale: 1/50



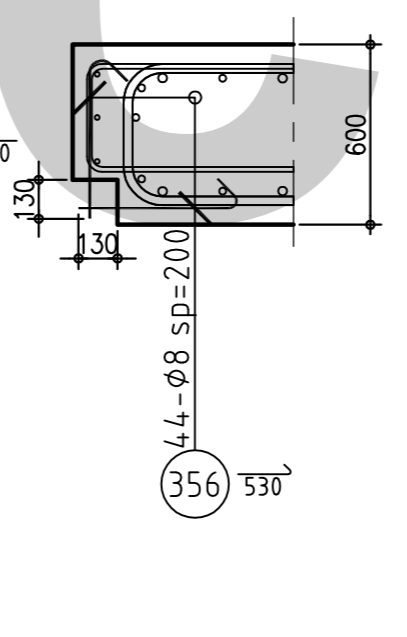
SECTION 2-2
 Scale: 1/25



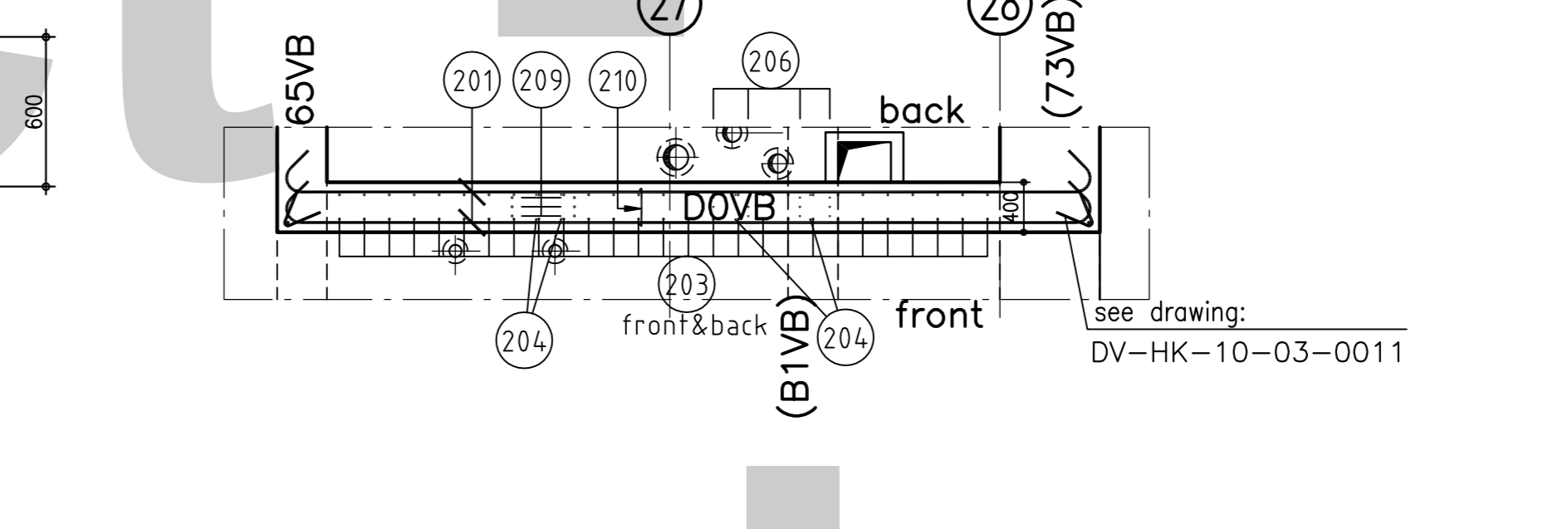
Detail A
 Scale: 1/25



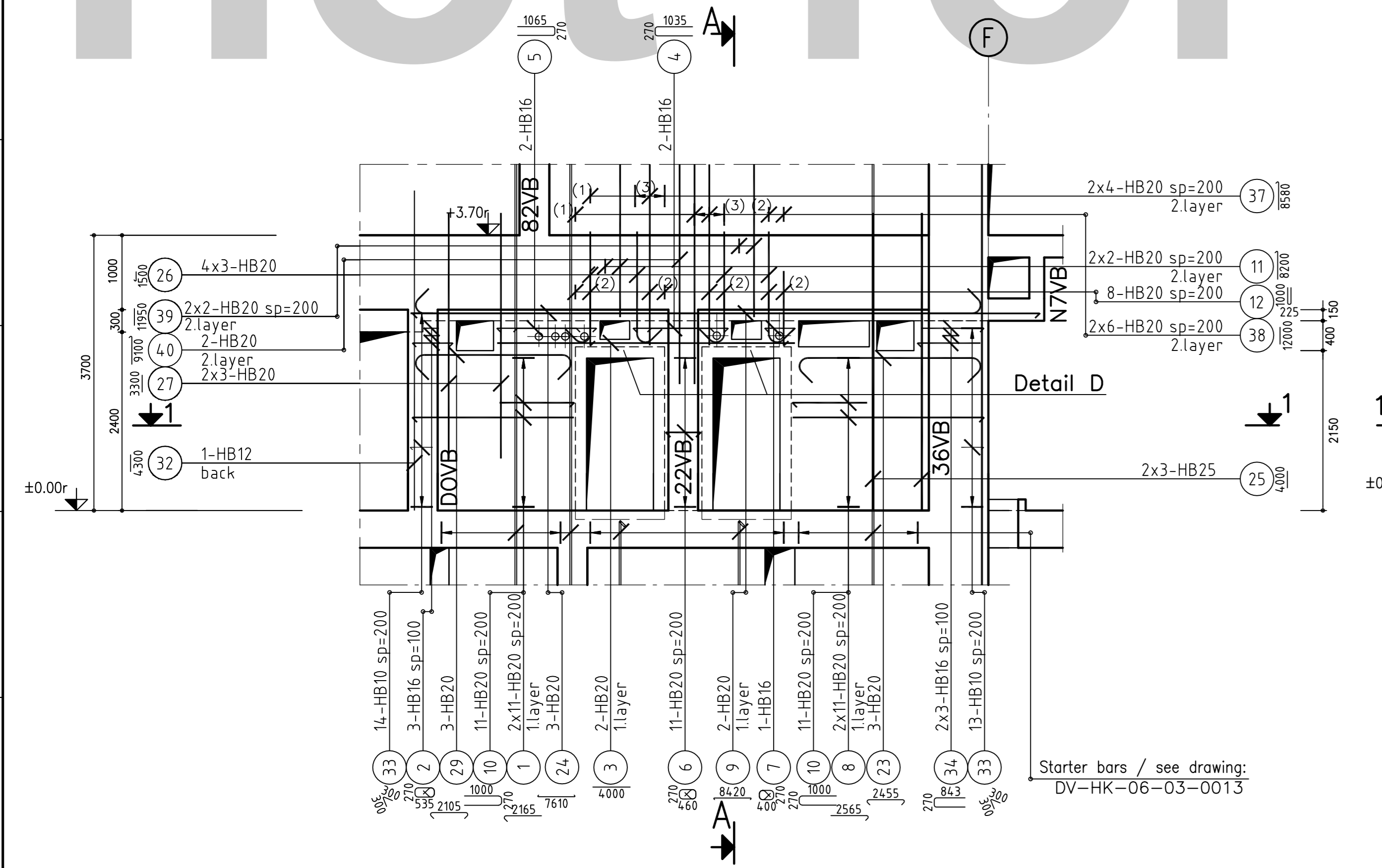
Detail B
 Scale: 1/25



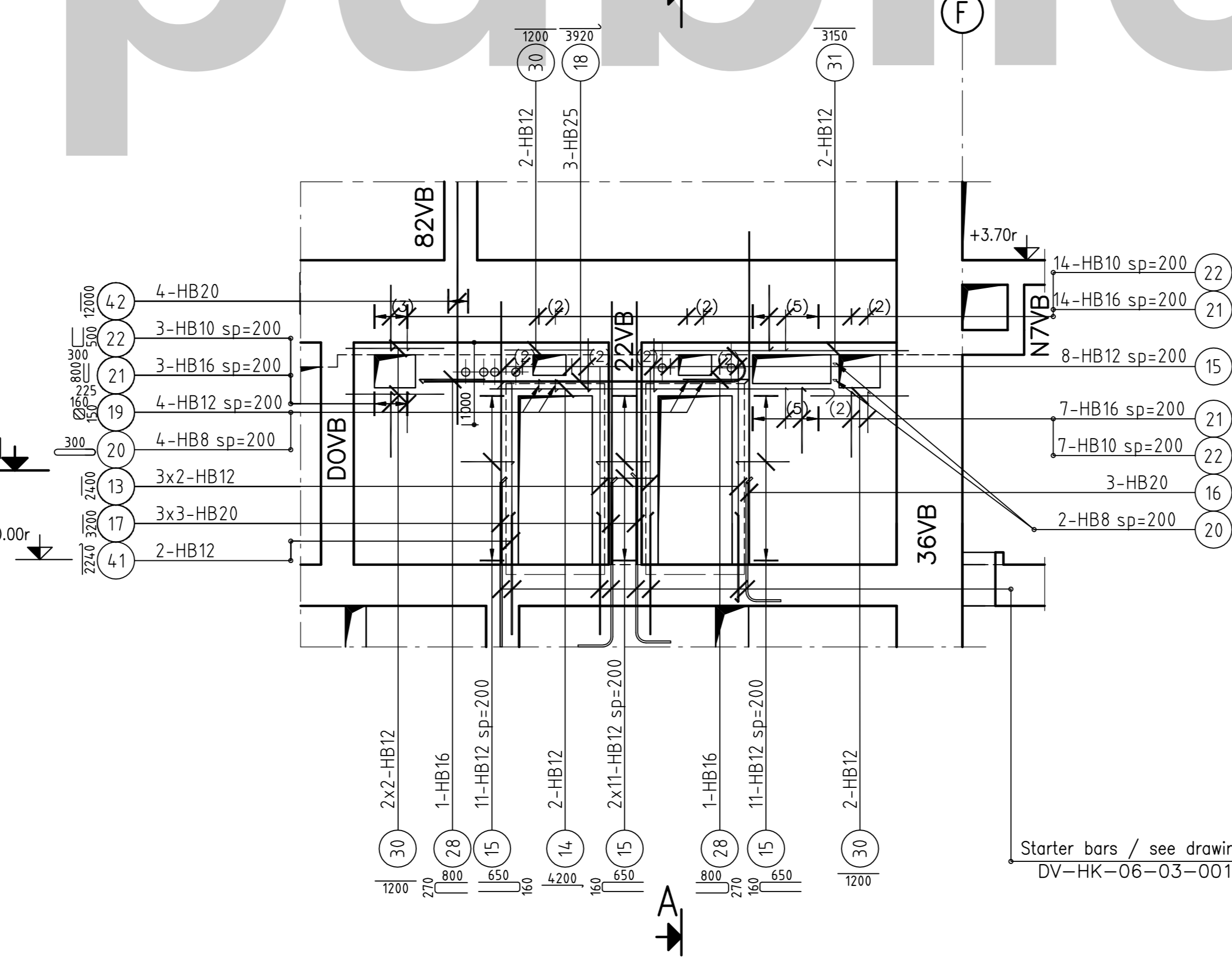
SECTION 3-3
 Scale: 1/50



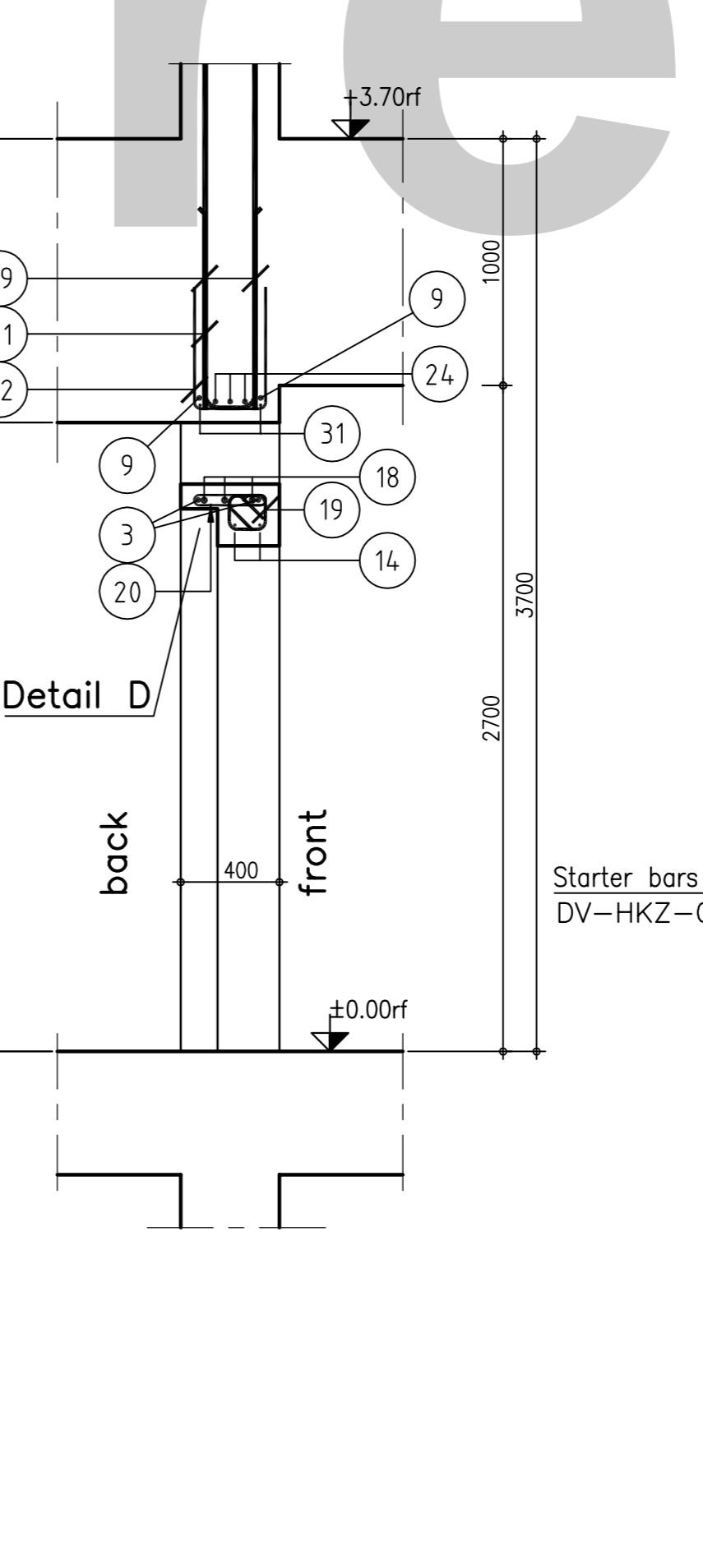
ELEVATION 65VB
Front & back rebars
Thk=400
 Scale: 1/50



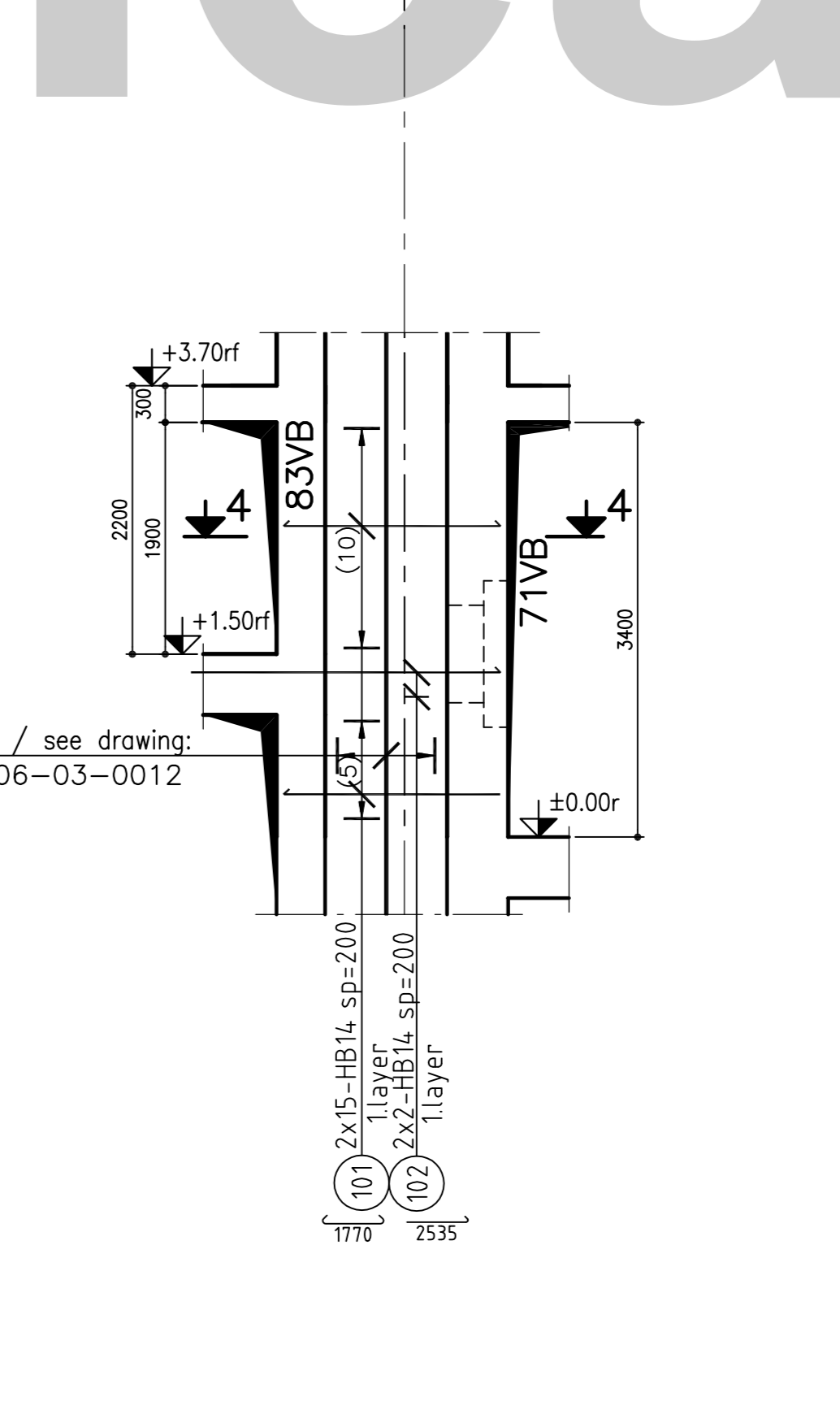
ELEVATION 65VB
Additional rebars
Thk=400
 Scale: 1/50



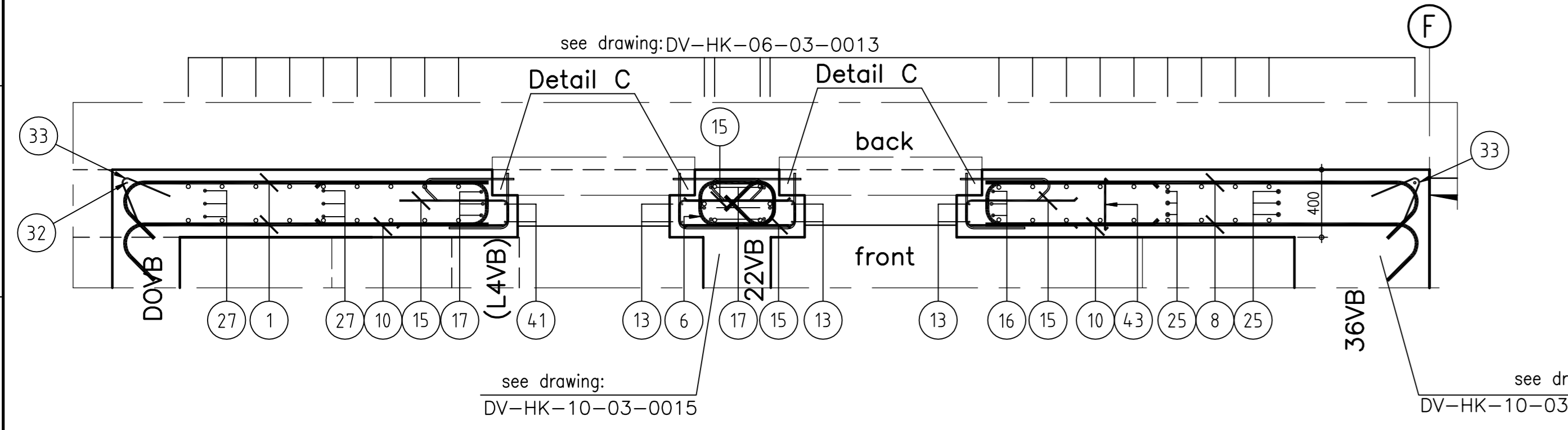
SECTION A-A
 Scale: 1/25



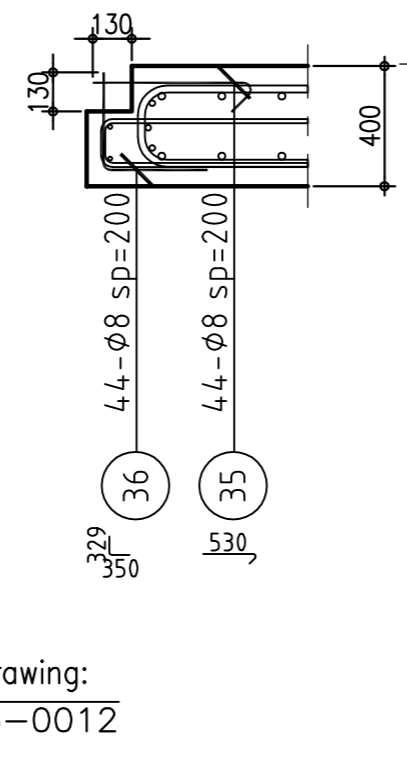
ELEVATION C3VB
Front & back rebars
Thk=200 (27)
 Scale: 1/50



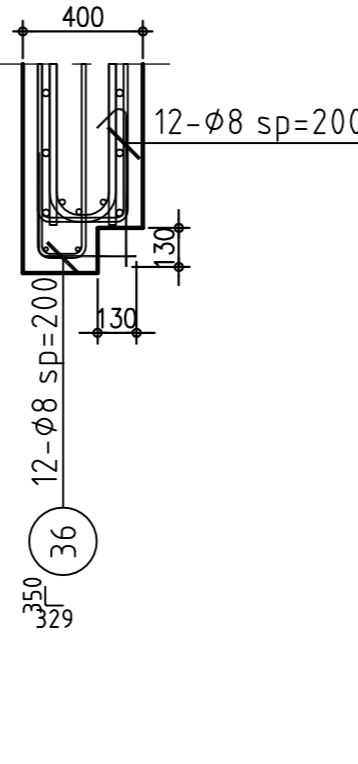
SECTION 1-1
 Scale: 1/25



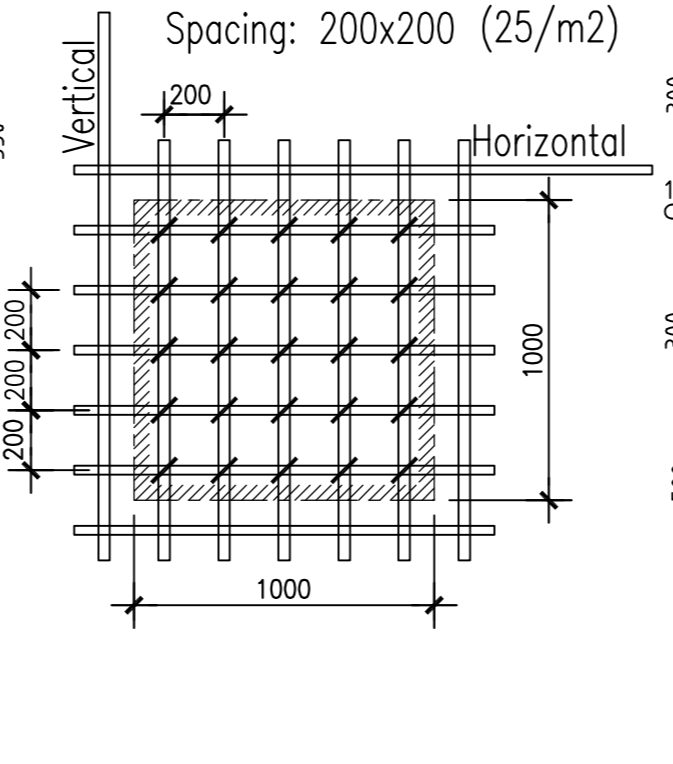
Detail C
 Scale: 1/25



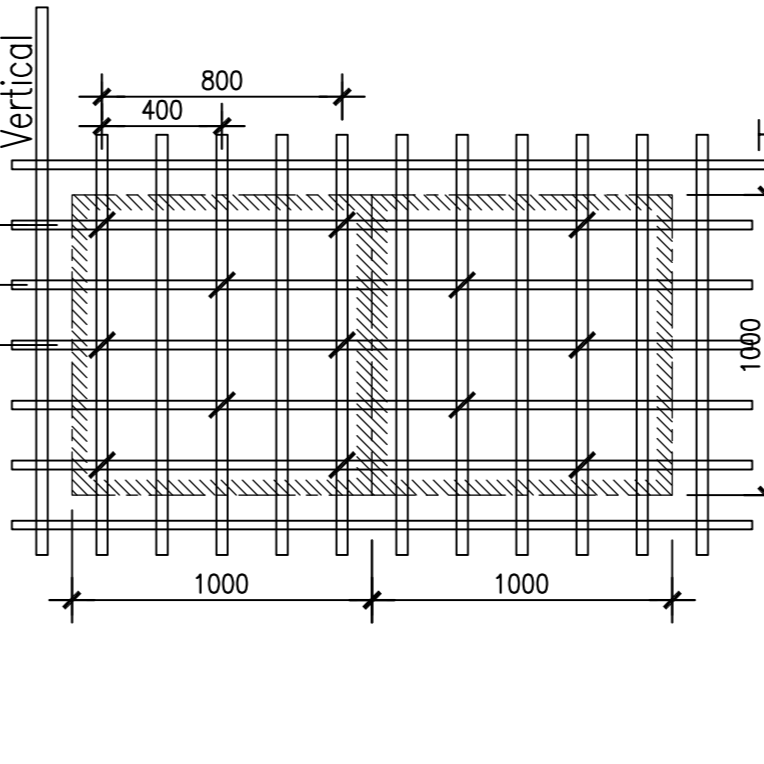
Detail D
 Scale: 1/25



TIE DISTRIBUTION FOR OVERLAPPING AREA
 Spacing: 200x200 (25/m2)



TIE CURRENT DISTRIBUTION
 Spacing: 800x200 (6,25/m2)



SECTION 4-4
 Scale: 1/50

